

Graphics for 2010 Technician Question Pool – Exam Element 2 Effective July 1, 2010

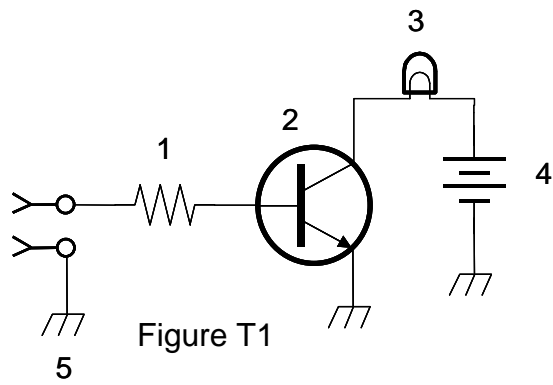


Figure T1

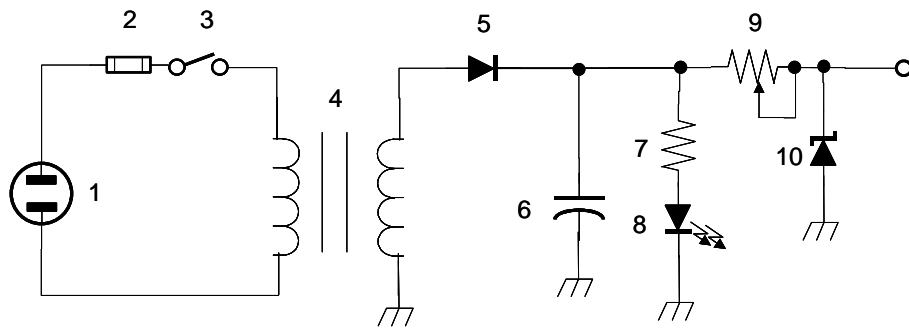


Figure T2

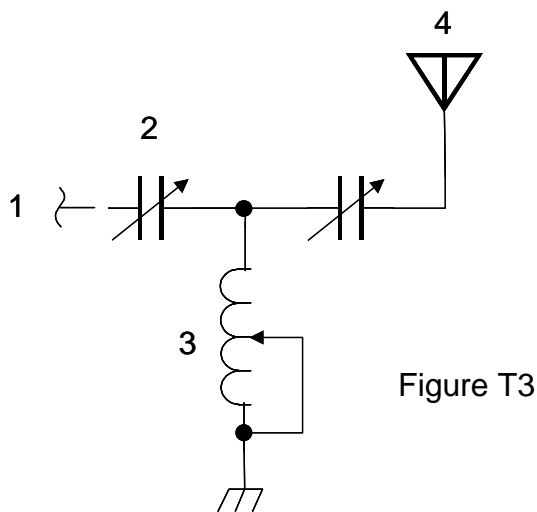


Figure T3

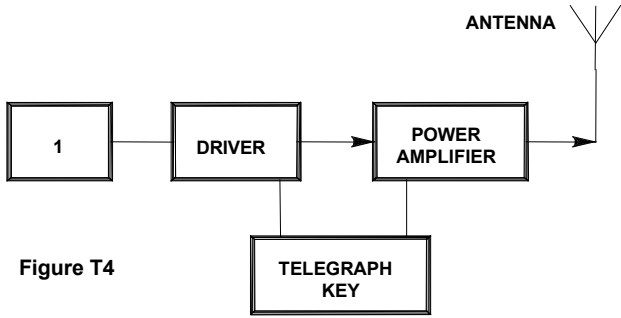


Figure T4

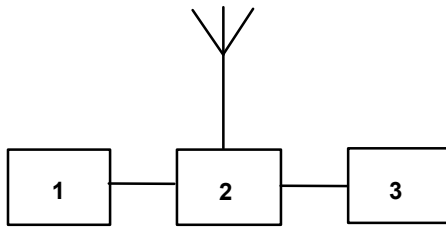


Figure T5

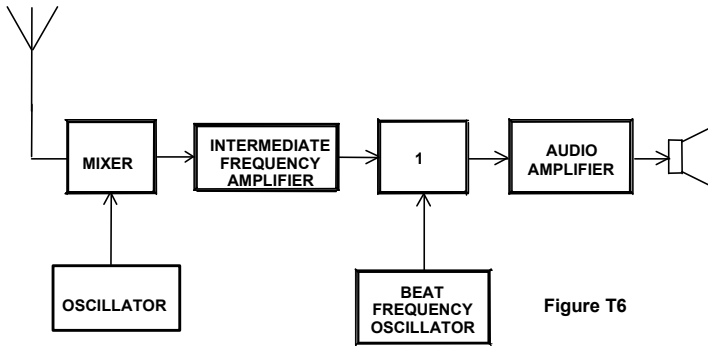


Figure T6

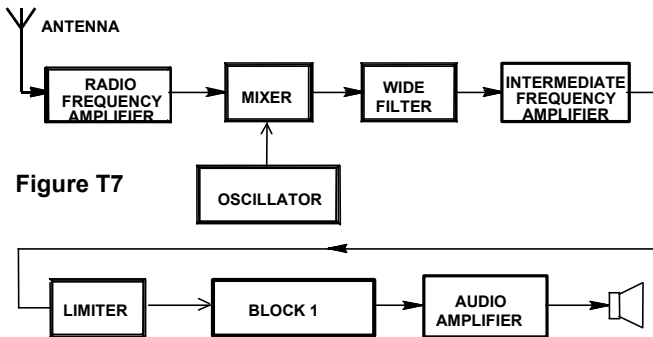


Figure T7